

Inflatable boat GALA Viking V420

Technical drawing

Builder's plate

GALA
INFLATABLE BOATS

Model **V420** **6** + **1**

850 kg **1870** lbs

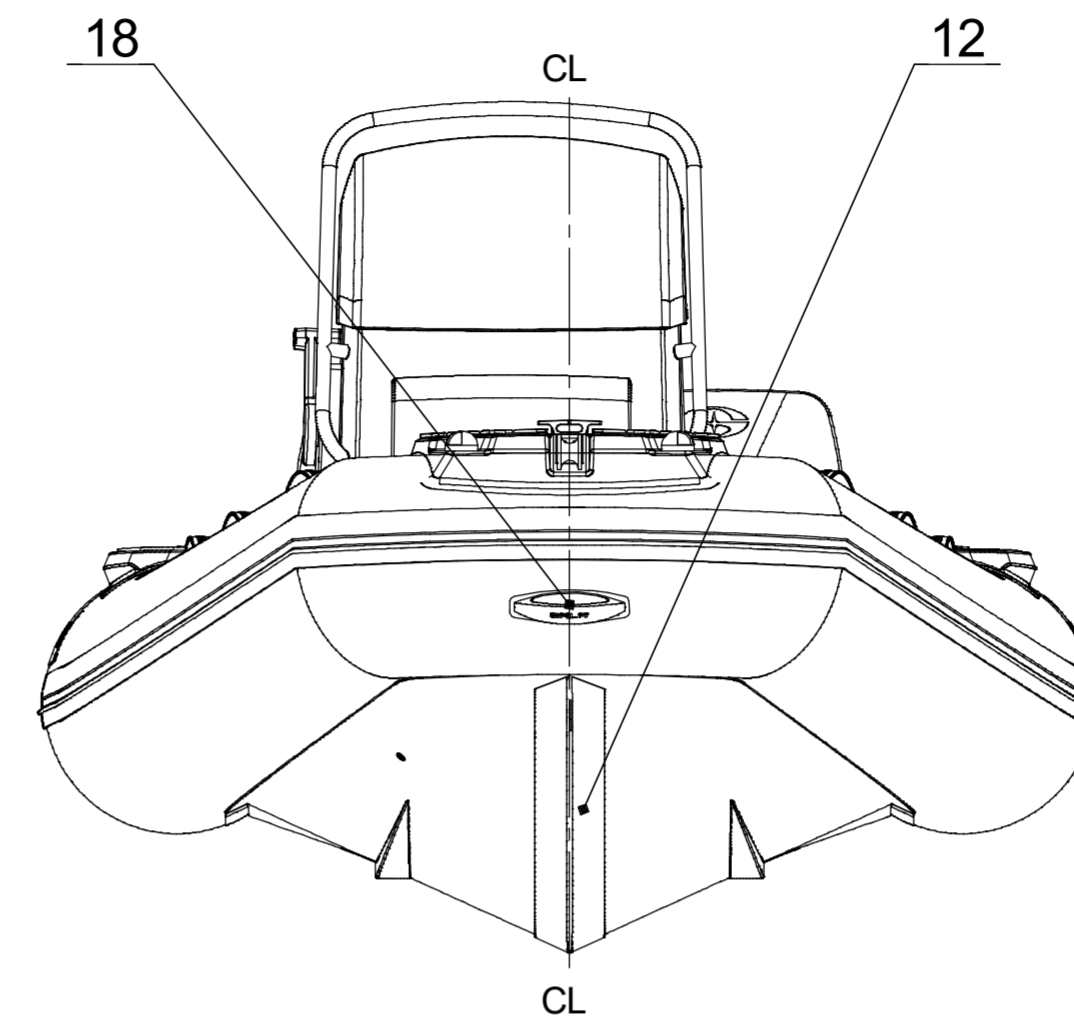
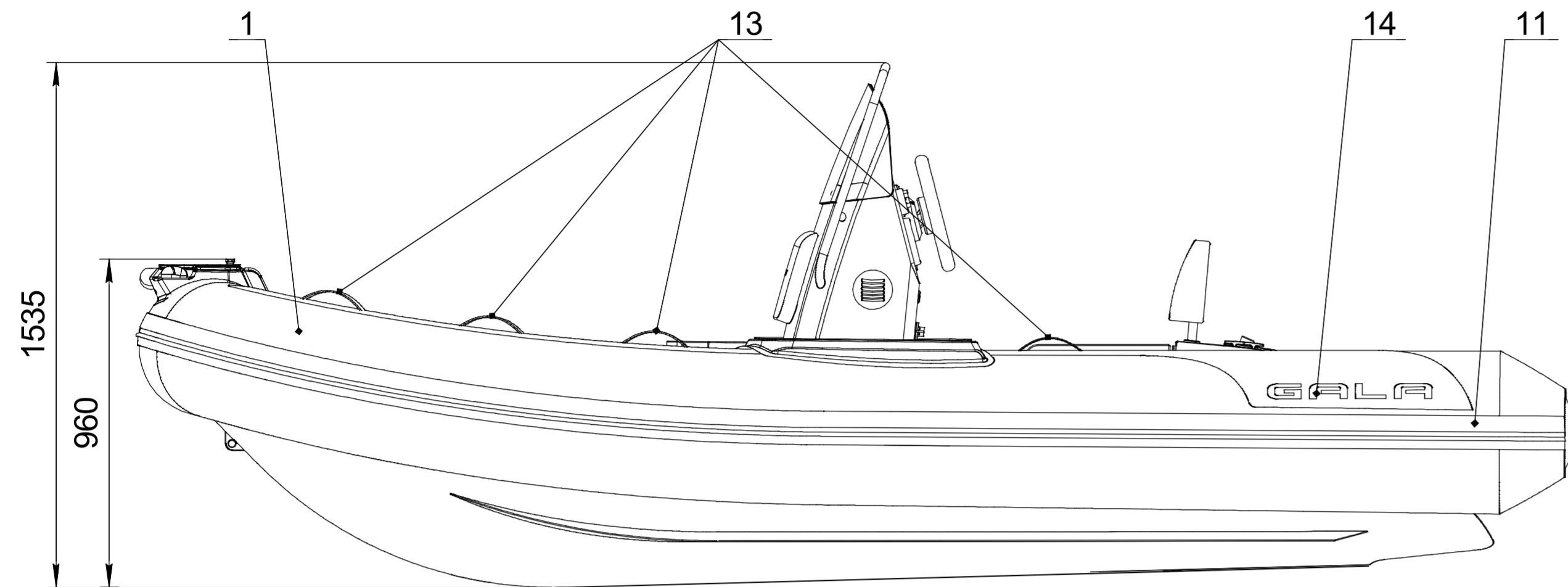
44.1 kW **60** HP Type **VII**

120 kg **264** lbs Cat. **C**

0.2 bar **2.89** psi International Standard ISO/FDIS-4155

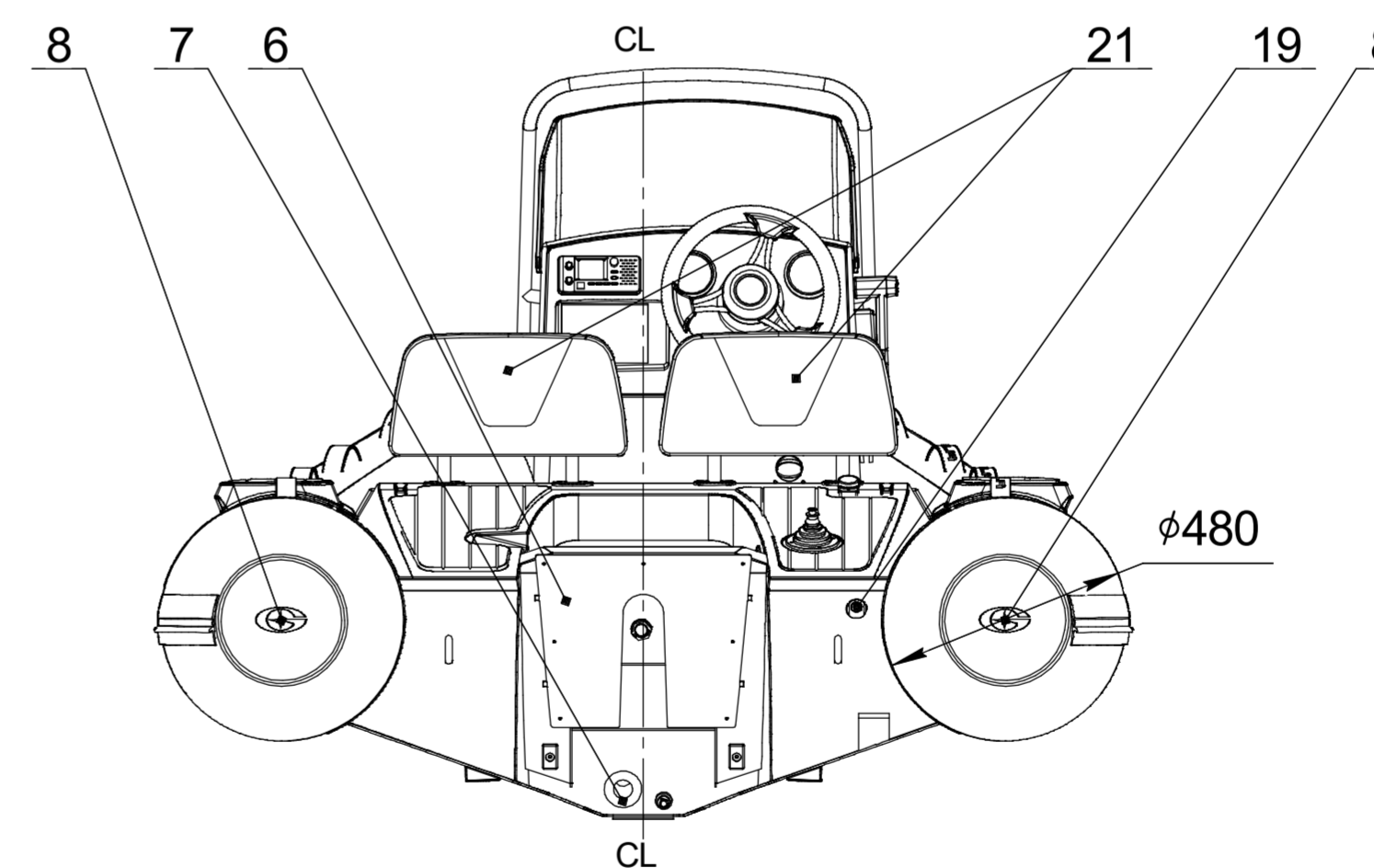
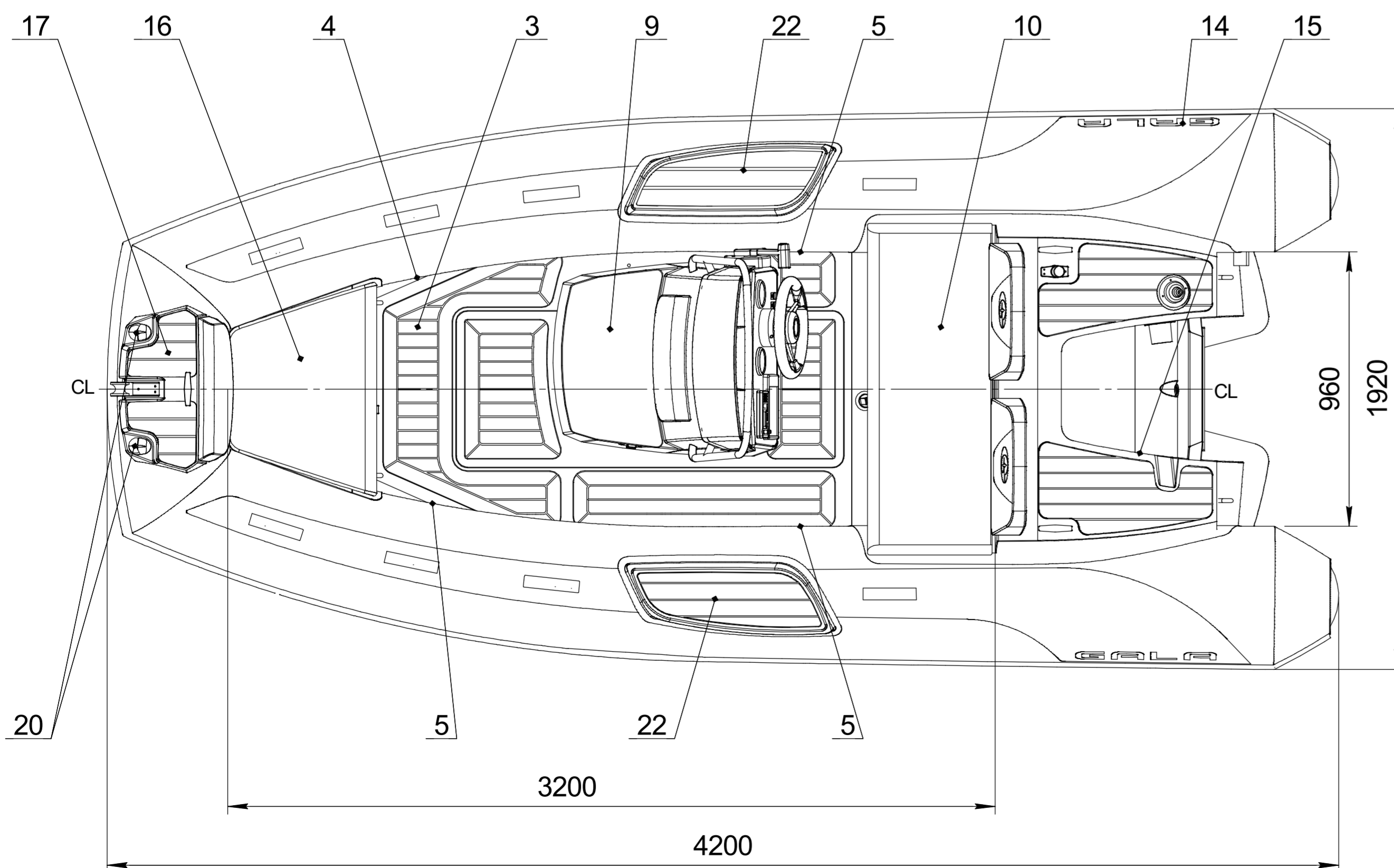
MADE IN UKRAINE
 CALIBR GROUP

"CALIBR PROF" LLC
4, Matlahkova Str., Dnipro, UKRAINE



Boat specification

Item	Item No	Description	Q-ty	Note
1		Inflatable tube for V420	1	
2		Aluminum hull for V420	1	
3		Antiskid decking	1	
4		Over-pressure valve	1	
5		Inflation-deflation valve	3	
6		Motor plate external	1	
7		Expanding drain plug	1	
8		Tube end, PVC	2	
9		Steering console C-05	1	
10		Rear locker soft cushion	1	
11		Rubbing strake	1	
12		Keel protector	1	
13		Safety grab handle	8	
14		GALA logo	2	
15		CIN plate	1	
16		Bow locker cushion	1	
17		Bow step plate №2	1	
18		GALA handle, PVC	1	
19		Bilge pump thru hull	1	
20		Navigation lights	1	
21		Reat soft back supports	2	
22		Side step panels	2	
23				
24				
25				
26				
27				
28				



DRAWN	NAME	DATE	ITEM No:
CHECKED			TITLE:
ENG APPR.			GALA Viking V420
MFG APPR.			
Q.A.			
PROPRIETARY AND CONFIDENTIAL THE INFORMATION CONTAINED IN THIS DRAWING IS THE SOLE PROPERTY OF CALIBR PROF LLC		SIZE	DWG. NO.
		SCALE: 1:10	WEIGHT:
			REV
			SHEET 1 OF 1