

# Inflatable boat GALA Viking V360

## Technical drawing

### Builder's plate

**GALA**  
INFLATABLE BOATS

Model: V360    Capacity: 6 + 1

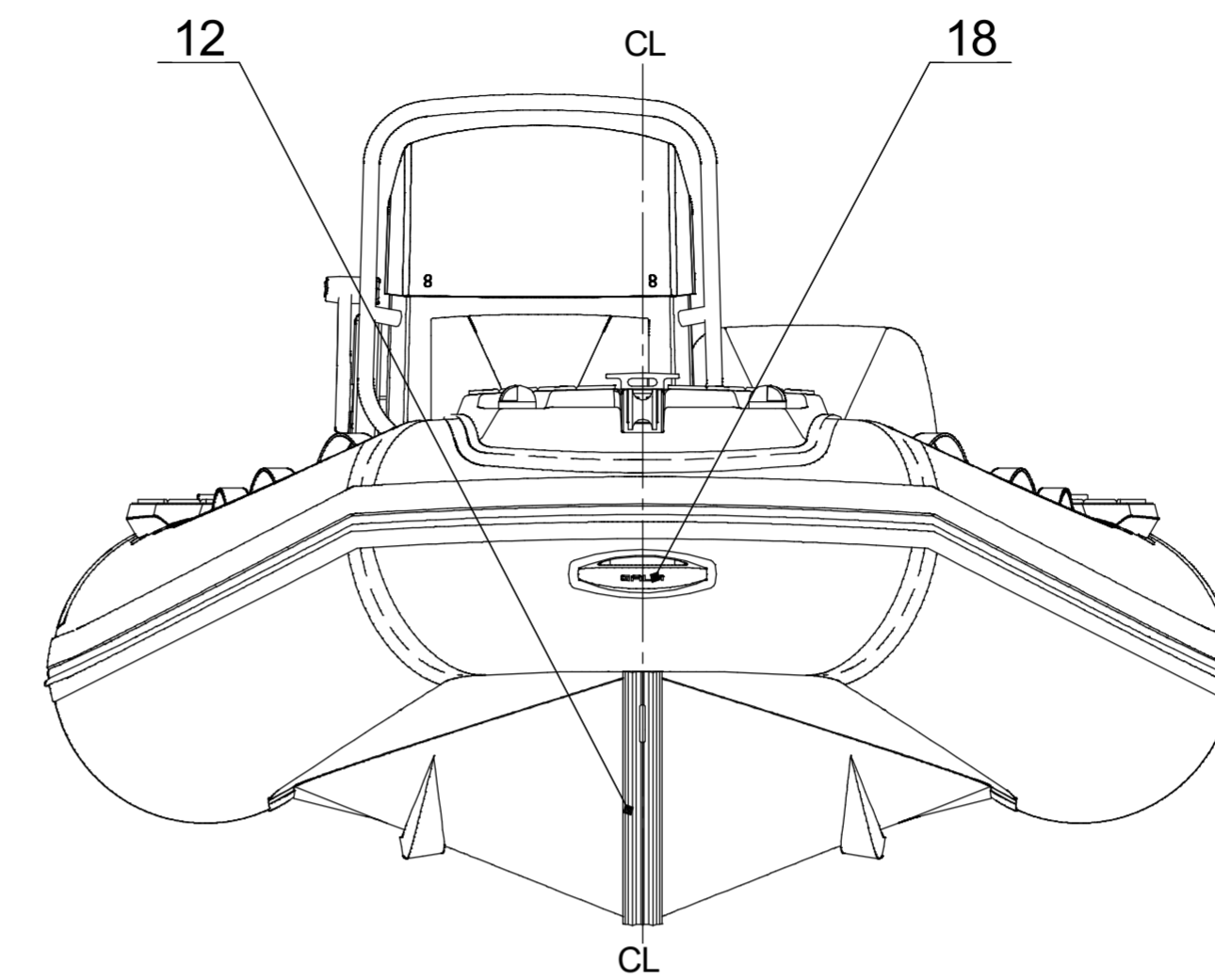
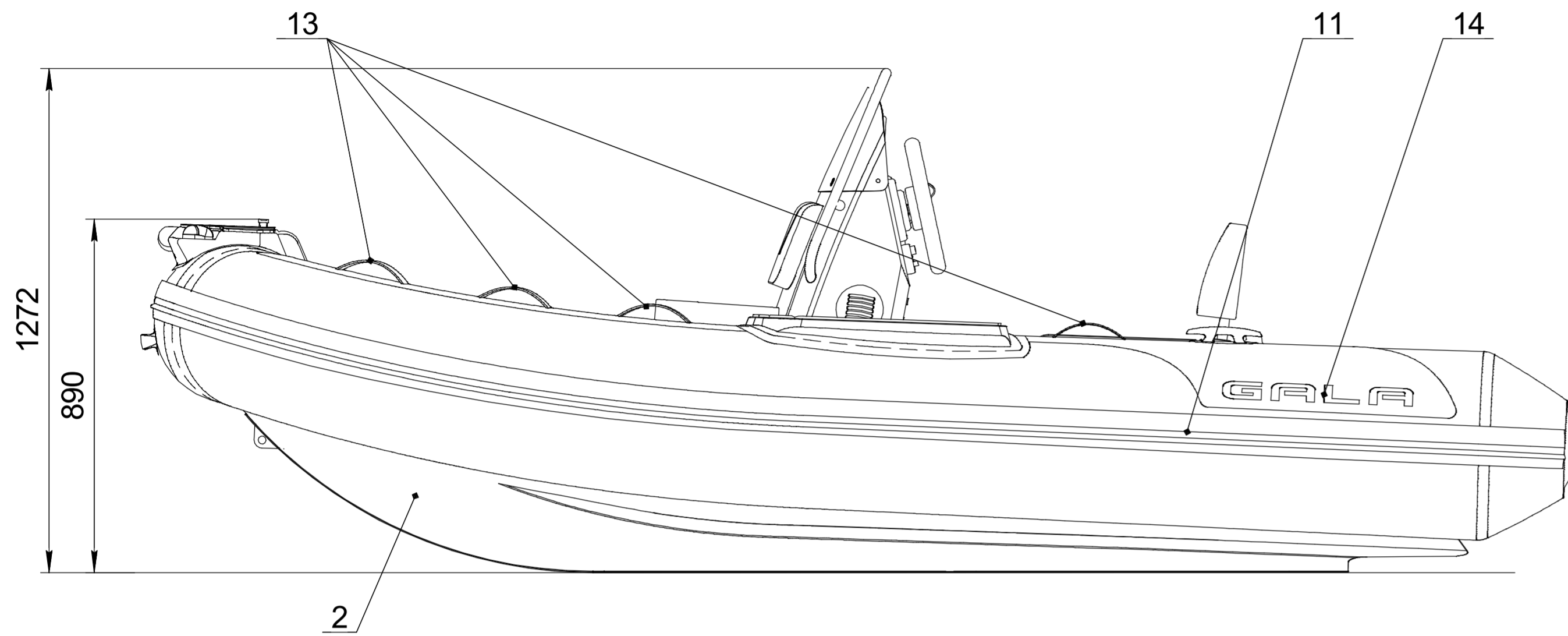
Weight: 700 kg / 1540 lbs

Engine: 29.4 kW / 40 HP    Type: VII

Max Load: 100 kg / 220 lbs    Cat: C

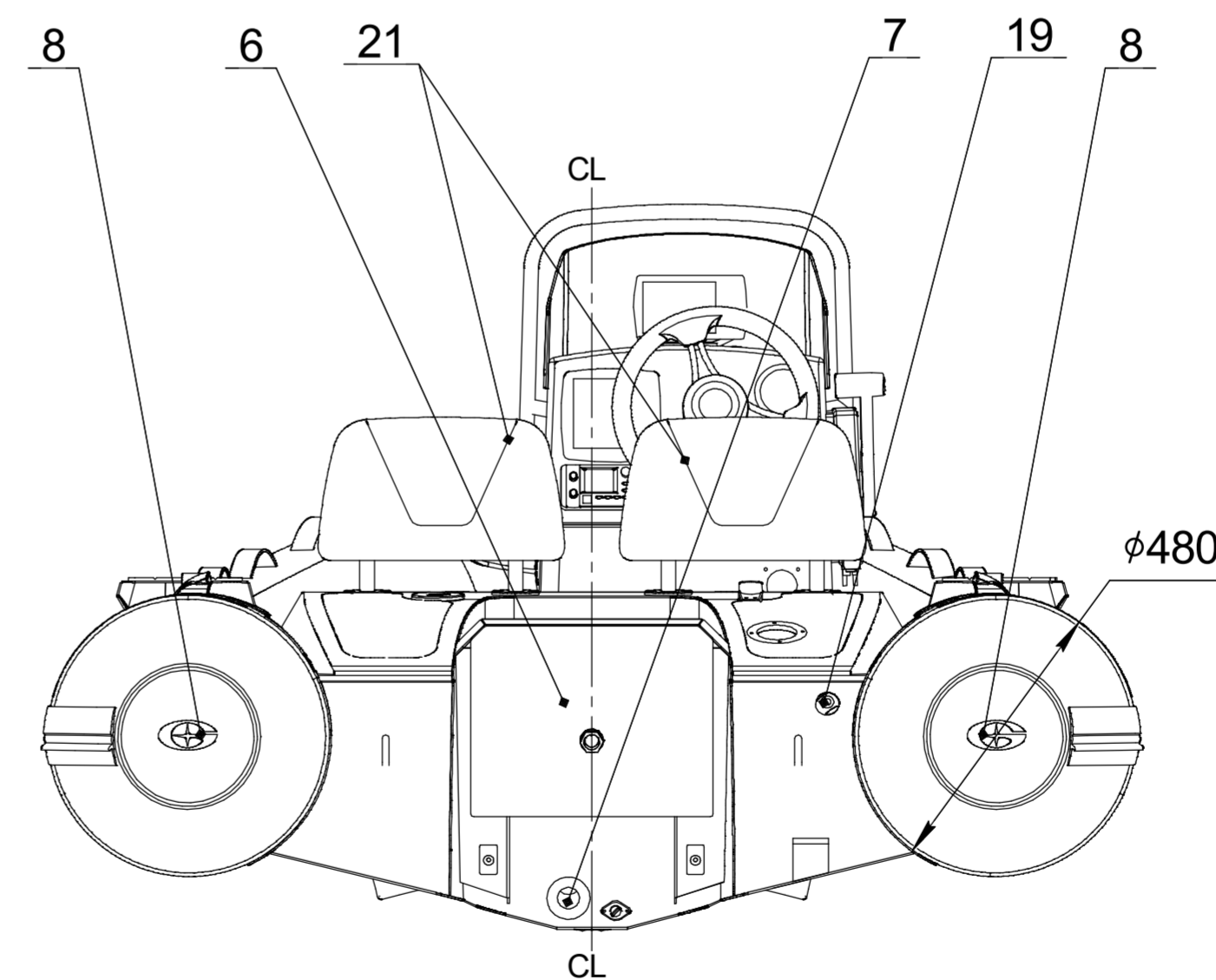
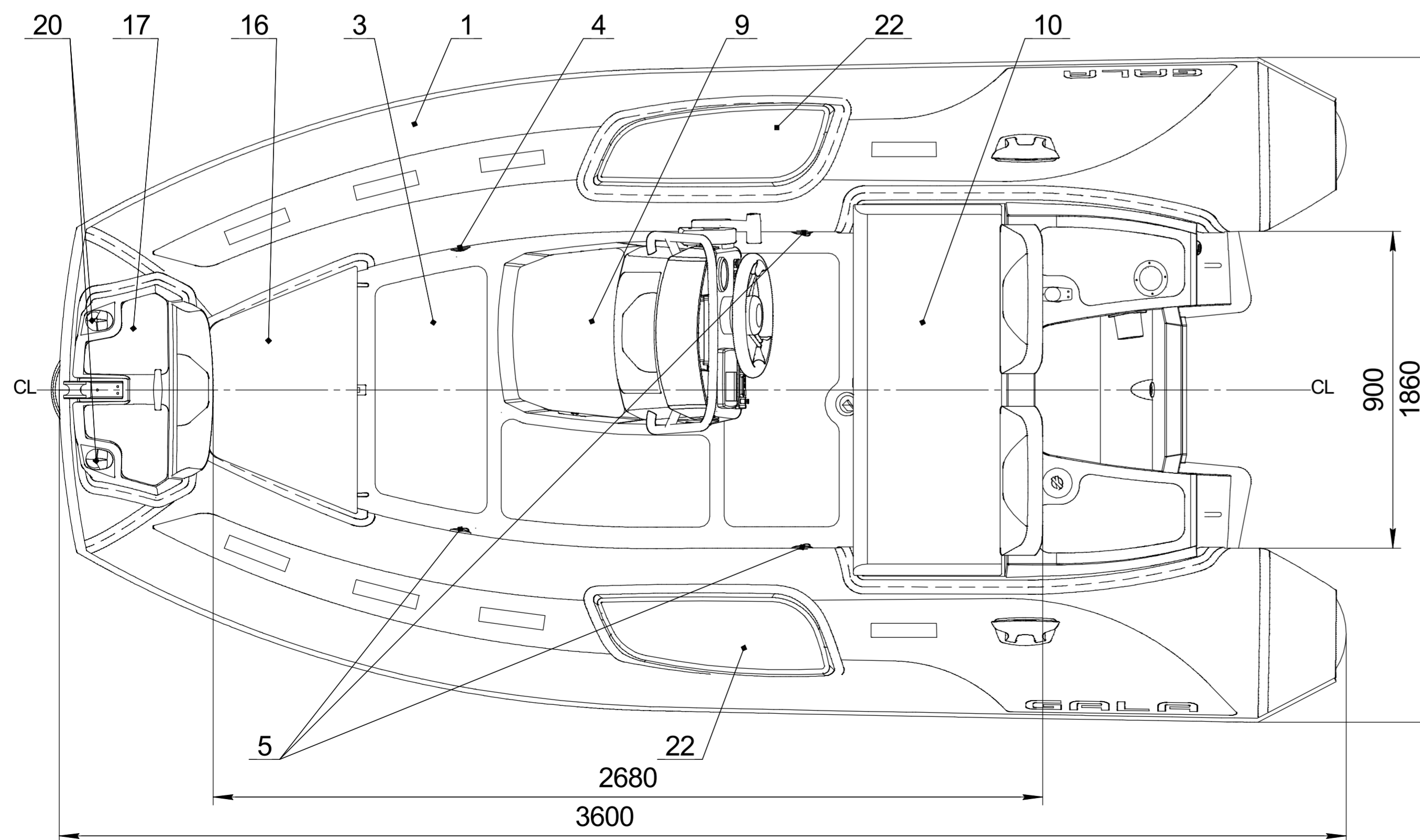
Inflation Pressure: 0.2 bar / 2.89 psi

MADE IN UKRAINE  
"CALIBR PROFI" LLC  
4, Matlakhova Str., Dnipro, UKRAINE



### Boat specification

Item	Item No	Description	Q-ty	Note
1		Inflatable tube for V360	1	
2		Aluminum hull for V360	1	
3		Antiskid decking	1	
4		Over-pressure valve	1	
5		Inflation-deflation valve	3	
6		Motor plate external	1	
7		Expanding drain plug	1	
8		Tube end, PVC	2	
9		Steering console C-03	1	
10		Rear locker soft cushion	1	
11		Rubbing strake	1	
12		Keel protector	1	
13		Safety grab handle	8	
14		GALA logo	2	
15		CIN plate	1	
16		Bow locker cushion	1	
17		Bow step plate №2	1	
18		GALA handle, PVC	1	
19		Bilge pump thru hull	1	
20		Navigation lights	1	
21		Reat soft back supports	2	
22		Side step panels	2	
23				
24				
25				
26				
27				
28				



DRAWN	NAME	DATE	ITEM No:
CHECKED			TITLE:
ENG APPR.			<b>GALA Viking V360</b>
MFG APPR.			
Q.A.			SIZE
<small>PROPRIETARY AND CONFIDENTIAL THE INFORMATION CONTAINED IN THIS DRAWING IS THE SOLE PROPERTY OF CALIBR PROFI LLC</small>			DWG. NO.
SCALE: 1:10			REV
WEIGHT:			SHEET 1 OF 1