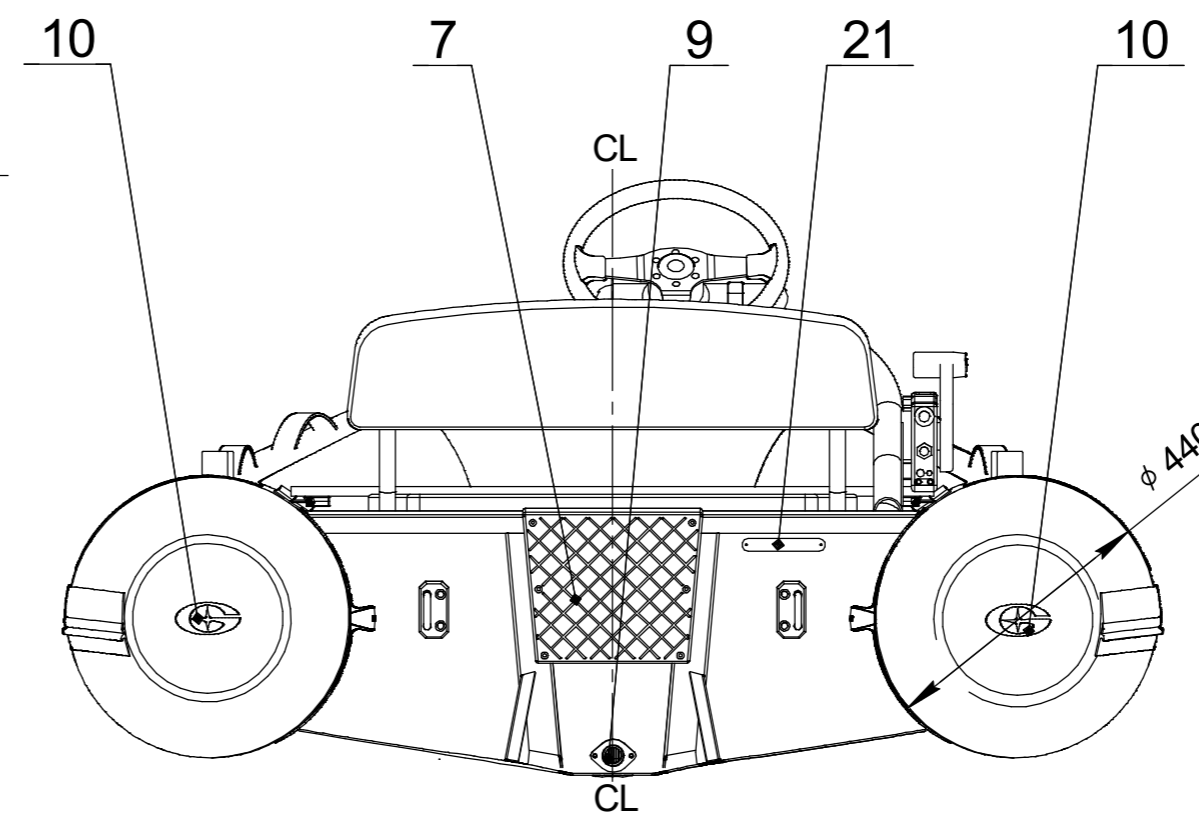
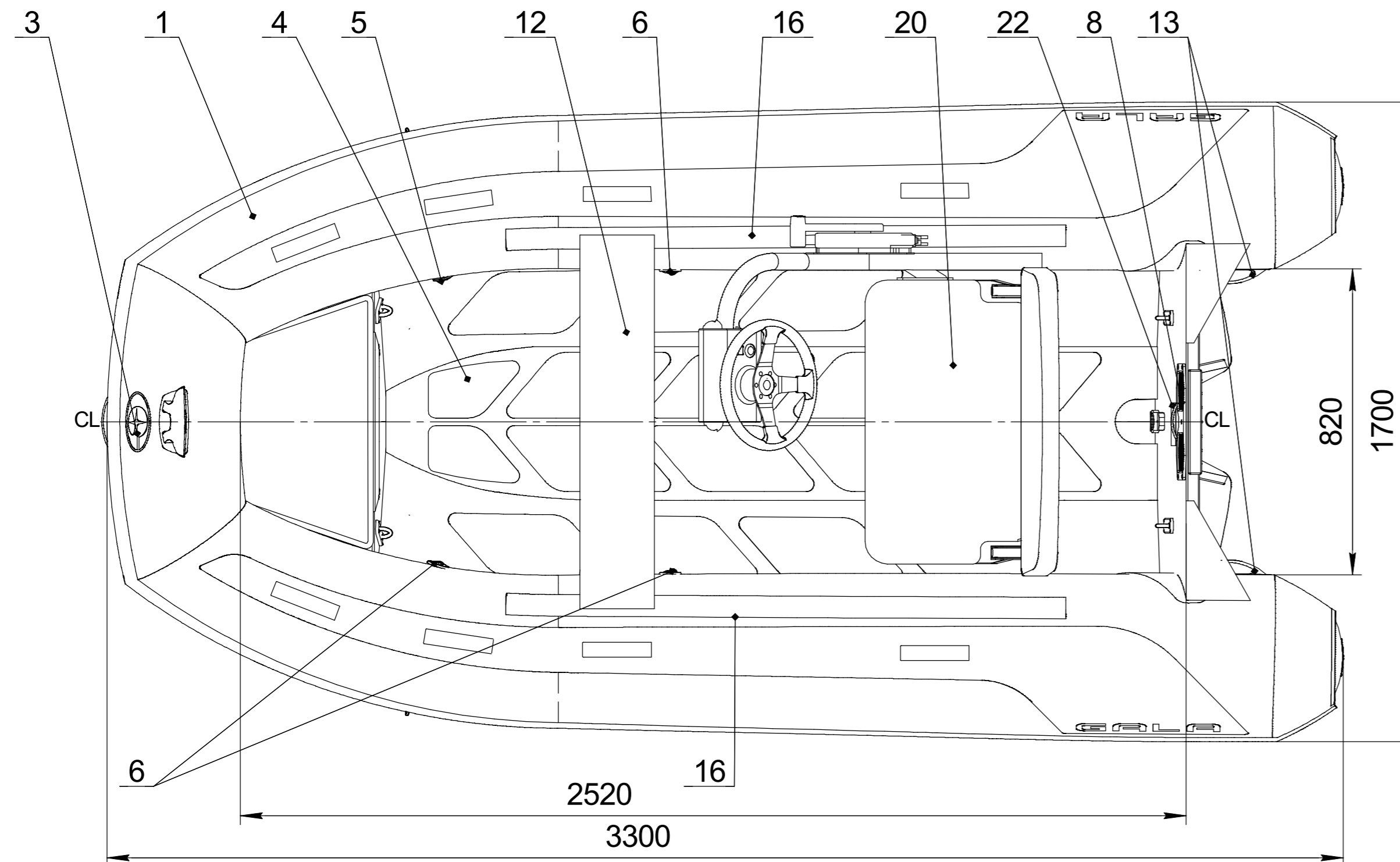
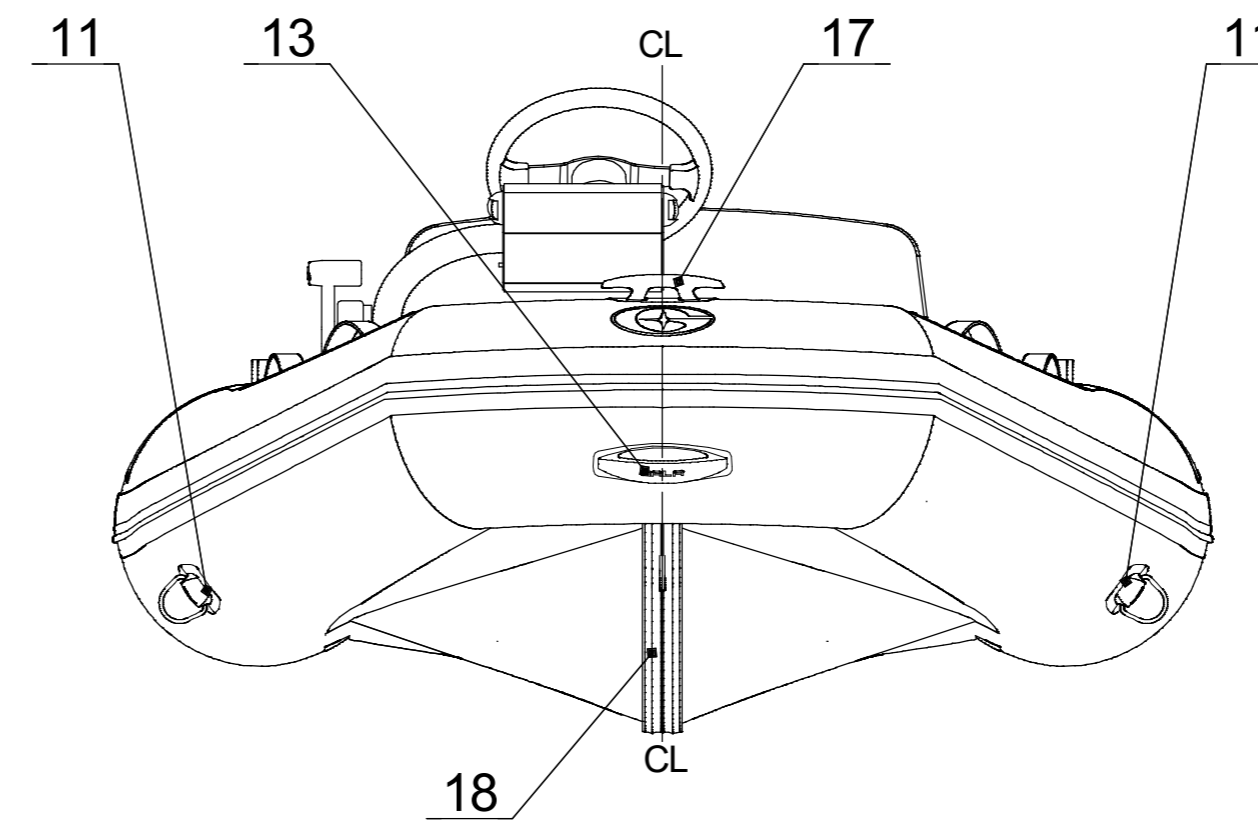
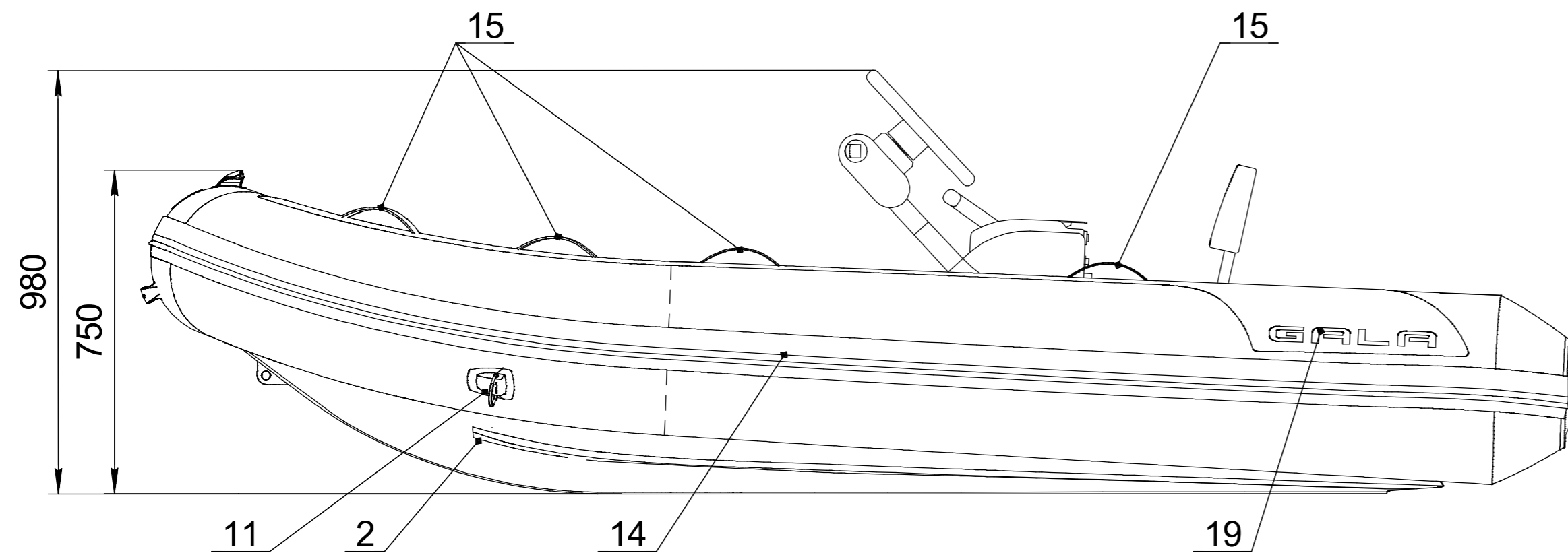


Inflatable boat GALA Atlantis A330Q

Technical drawing



Builder's plate

GALA
INFLATABLE BOATS

Model: **A330Q** **5** + **1**

550 kg **1210** lbs

22.1 kW **30** HP Type: **VII**

70 kg **154** lbs Cat.: **C**

0.2 bar **2.89** psi International Standard ISO/FDIS-6185

MADE IN UKRAINE

"CALIBR PROFIL" LLC
4, Matlakhova Str., Dnipro, UKRAINE

Boat specification

Item	Item No	Description	Q-ty	Note
1		Inflatable tube for A330Q	1	
2		Aluminum hull for A330Q	1	
3		GALA logo front	1	
4		Antiskid decking	1	
5		Over-pressure valve	1	
6		Inflation-deflation valve	3	
7		Motor plate external	1	
8		Motor plate internal	1	
9		Expanding drain plug	1	
10		Tube end, PVC	2	
11		Towing eye, PVC	2	
12		Aluminum seat	1	
13		GALA handle, PVC	3	
14		Rubbing strake	1	
15		Safety grab handle	8	
16		Seat holder	2	
17		Bow Cleat Large	1	
18		Keel protector	1	
19		GALA logo	2	
20		AQUAHELM Steering console S-08	1	
21		CIN plate	1	
22		Builder's plate	1	
23				
24				

NAME	DATE	ITEM No:		
DRAWN				
CHECKED		TITLE:		
ENG APPR.		GALA Atlantis A330Q		
MFG APPR.				
Q.A.				
PROPRIETARY AND CONFIDENTIAL THE INFORMATION CONTAINED IN THIS DRAWING IS THE SOLE PROPERTY OF CALIBR PROFIL LLC		SIZE	DWG. NO.	REV
SCALE: 1:10		WEIGHT:	SHEET 1 OF 1	