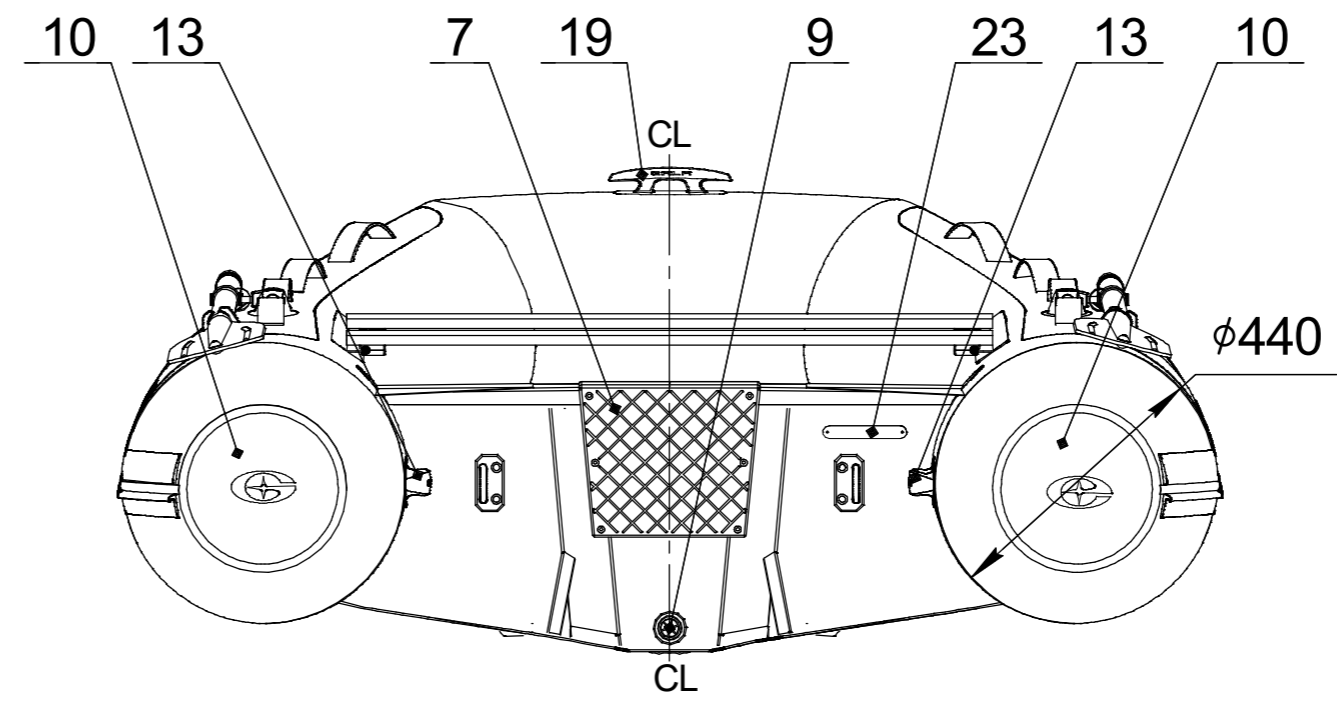
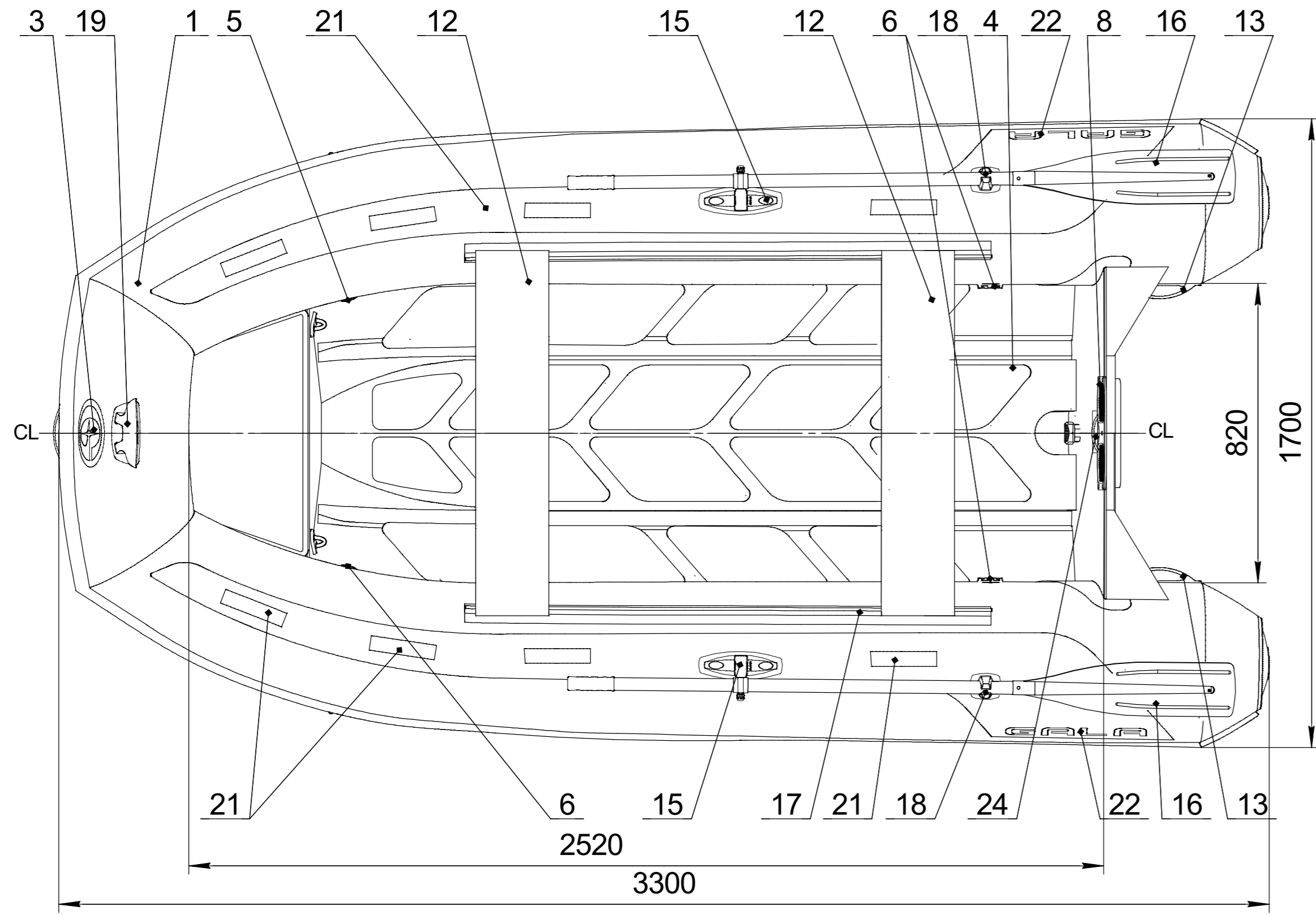
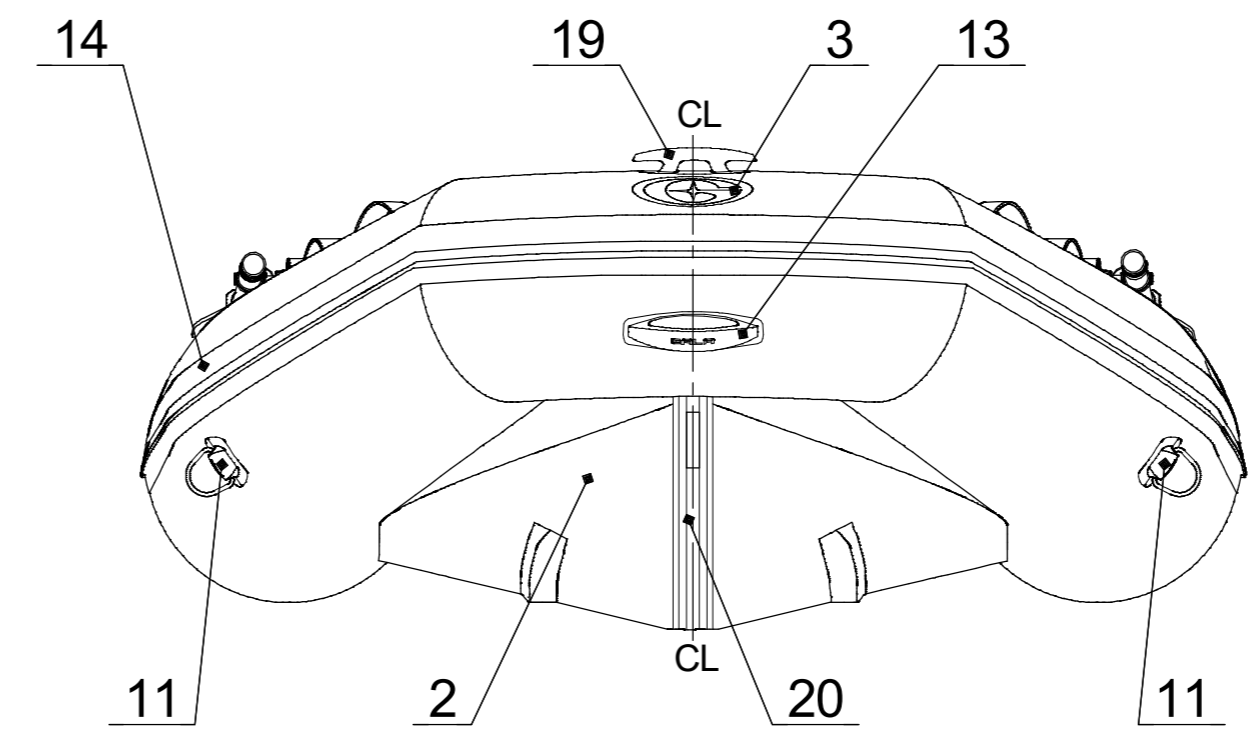
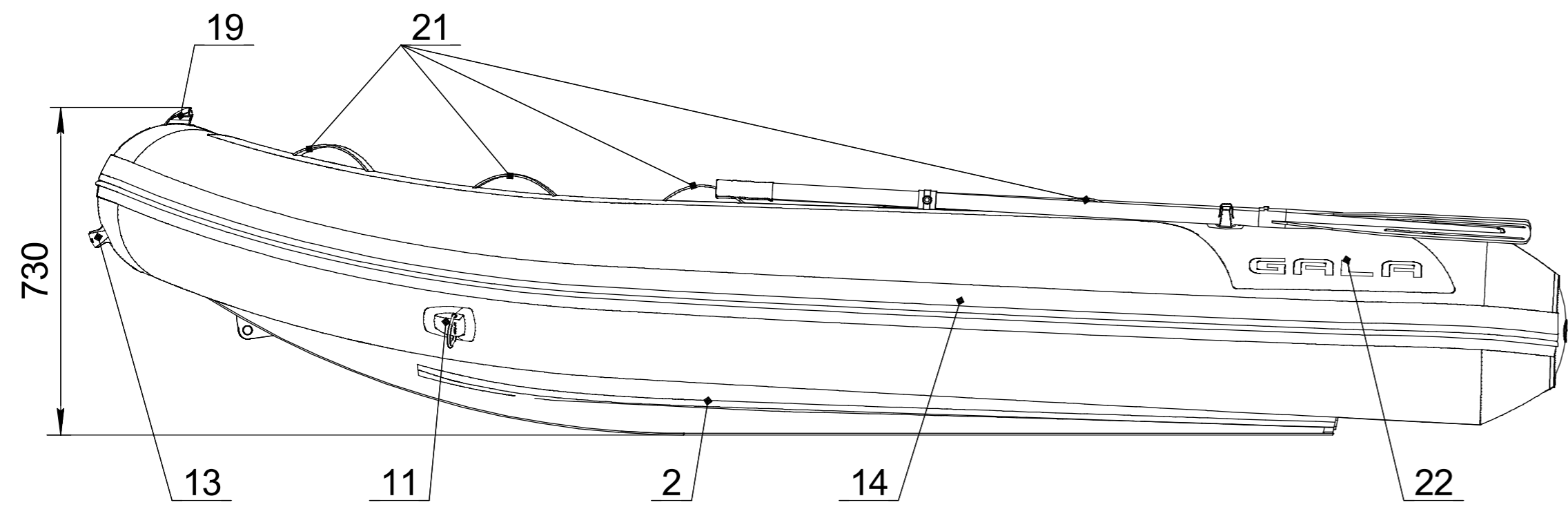


Inflatable boat GALA Atlantis A330D

Technical drawing



Builder's plate

GALA
INFLATABLE BOATS

Model **A330D** **5** + **1**

550 kg **1210** lbs

14.7 kW **20** HP Type **V**

60 kg **132** lbs Cat. **C**

0.2 bar **2.89** psi International Standard ISO/FDIS-6185

MADE IN UKRAINE
 GALA GLOBAL GROUP

"CALIBR PROFIL" LLC
4, Matlakhova Str., Dnipro, UKRAINE

Boat specification

Item	Item No	Description	Q-ty	Note
1		Inflatable tube for A330D	1	
2		Aluminum hull for A330D	1	
3		GALA logo front	1	
4		Antiskid decking	1	
5		Over-pressure valve	1	
6		Inflation-deflation valve	3	
7		Motor plate external	1	
8		Motor plate internal	1	
9		Expanding drain plug	1	
10		Tube end, PVC	2	
11		Towing eye, PVC	2	
12		Aluminum seat	2	
13		GALA handle, PVC	3	
14		Rubbing strake	1	
15		Oarlock	2	
16		Oar 180cm with rivert	2	
17		Seat holder	2	
18		Oar holder	2	
19		GALA cleat, PVC	1	
20		Keel protector	1	
21		Safety grab handle	8	
22		GALA logo	2	
23		CIN plate	1	
24		Builder's plate	1	

DRAWN	NAME	DATE	ITEM No:
CHECKED			TITLE:
ENG APPR.			GALA Atlantis A330D
MFG APPR.			
Q.A.			
PROPRIETARY AND CONFIDENTIAL THE INFORMATION CONTAINED IN THIS DRAWING IS THE SOLE PROPERTY OF CALIBR PROFIL LLC			SIZE
			DWG. NO.
			REV
			SCALE: 1:10
			WEIGHT:
			SHEET 1 OF 1